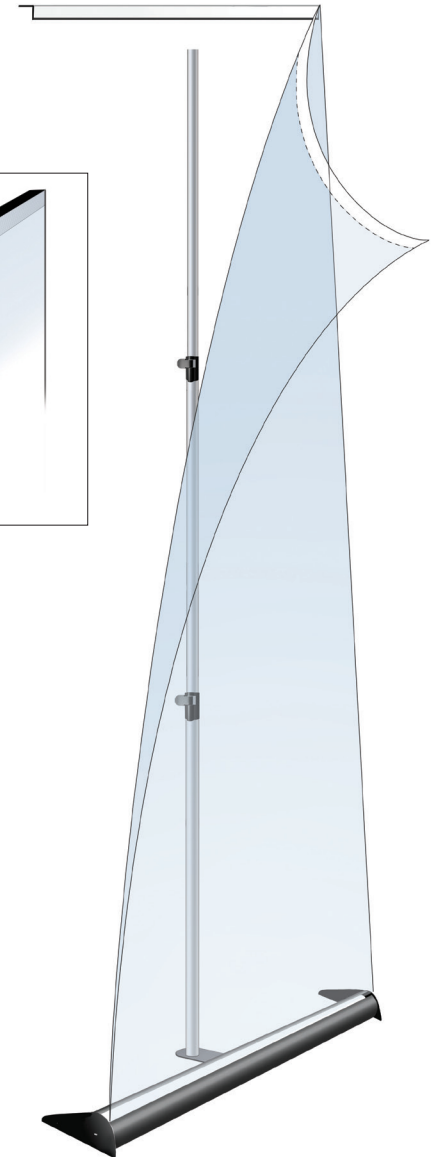
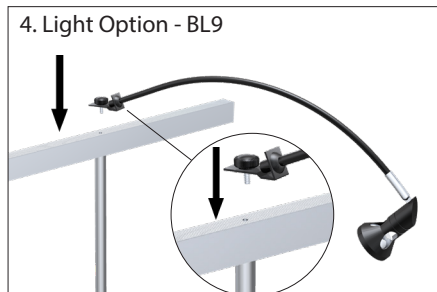
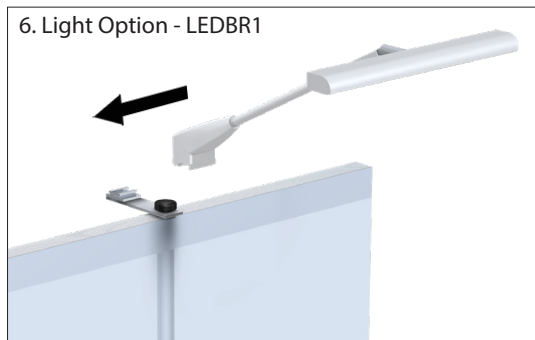
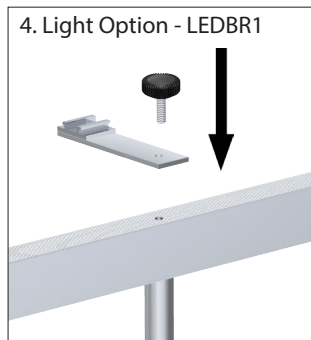
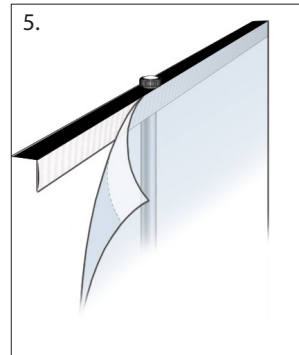
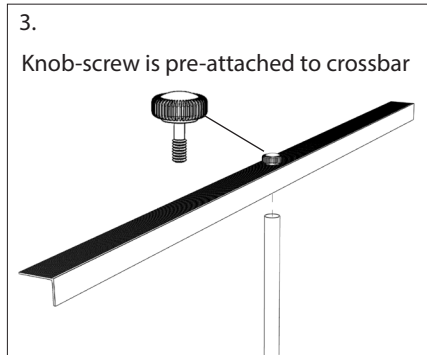
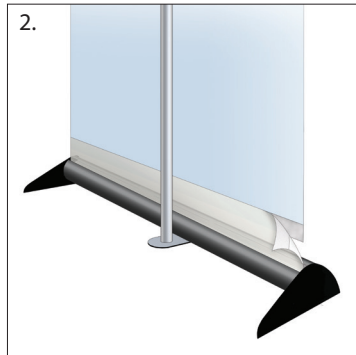
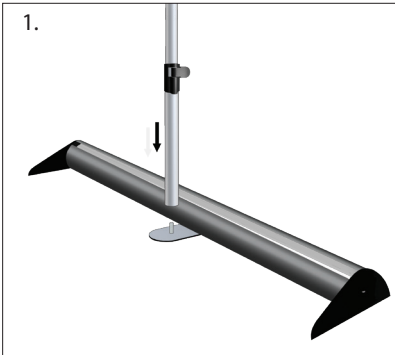


# Mercury™ Banner Stand - RY1, RY3, RY9

1. Mount pole onto base using flathead screw.
2. Attach banner to retractable vinyl with Velcro hook and loop.
3. Fasten the crossbar to the top hole of the upright using the pre-attached knob-screw. Tighten firmly.
4. *LIGHT OPTION ONLY*: Install bracket with knob to secure top crossbar in place.
5. Attach Banner
  - If Textile: Top & Bottom: Use the pressure sensitive adhesive backing on the Velcro to put squarely onto graphic and then sew.
  - If Paper: Top: Attach supplied Velcro squarely to top of graphic with pressure sensitive adhesive supplied.  
Bottom: Attach supplied Velcro to bottom the same way, but reinforce with industrial packing tape for a smooth finish (helps guard against unwanted binding).
6. *LIGHT OPTION LEDBR1 ONLY*: Slide light onto bracket to secure into place.



RY1 shown